

WEDA 50, 50Hz

Electric submersible pump

Specifications

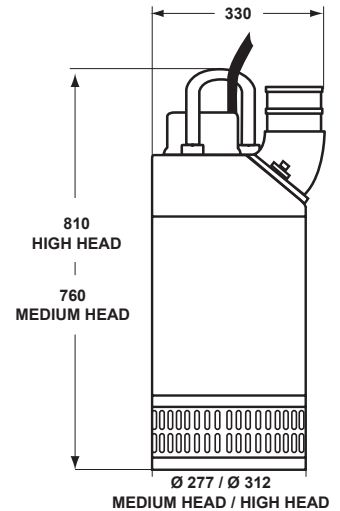
Portable electric submersible pump for dewatering of construction sites, mines, flooded areas etc. Designed for handling liquid with abrasive particles. Prot class IP68

Pump Types

WEDA 50L Low head/high volume
 WEDA 50N Medium head
 WEDA 50H High head

Electric Motor

3-phase: Squirrel cage induction motor with built-in contactor.
 Insulation: Class F (+155C), IEC 85



Data		WEDA50L	WEDA50N	WEDA50H
Rated Output	kW	4.7	4.7	4.7
Rated Current A	230v	16	16	16
	400v	8.5	8.5	8.5
	500v	7.0	7.0	
Shaft speed	rpm	2900	2900	2900

Other voltage upon request

Motor Protection

Thermal switch in each winding (+135 degree C)

Cable

Oil and wear resistant rubber cable type HO7RN-F
 230v, 20m 4x4mm²
 400v, 20m 4x2.5mm²

Shaft Seal

Primary seal: Silicon carbide against silicon carbide.
 Secondary seal: Carbon against ceramic
 Available in a complete instant service pack or as separate items

Bearings

Single-row ball bearing with C3 clearance

Materials

Castings: Aluminium
 Outer-casing: Aluminium
 Shaft: Stainless steel
 Fasteners: Stainless steel
 Impeller: Cr-alloyed white cast iron, 55Rc
 Wear parts: Natural rubber

Discharge connection

4" std for WEDA50L and WEDA50N,
 3" std for WEDA50H, for hose, BSP or NPT

Accessories

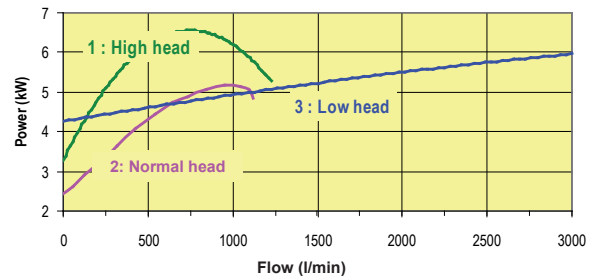
Float switch
 Zinc anodes
 Epoxy coating

Weight: WEDA50L/N 55 kg
 WEDA50H 63 kg

Dimensions (mm).

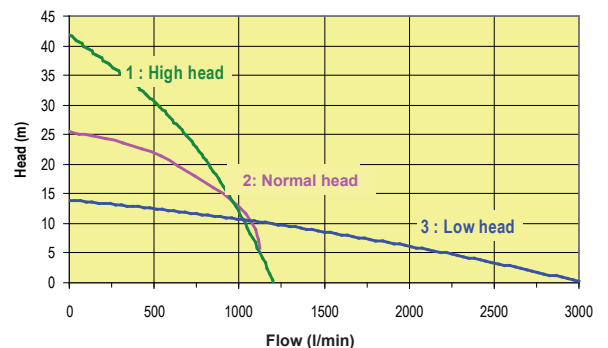
Power (kW)

According to ISO 9906 - ANNEX A



Flow Chart

According to ISO 9906 - ANNEX A



Features

- Robust design
- Lightweight and user friendly
- Wear resistant wet end in CR-alloy steel and natural rubber
- Adjustable wear parts
- Complete instant service pack for easy and fast service
- Built-in contactor
- Easy installation

Designed for:

Heavy duty pumping of abrasive liquids
 Max submersible depth of 20m
 Max temperature of liquid +40C
 Max density of liquid, 1.100kg/m³
 pH of the liquid between 5-8.
 For special applications contact Weda pump.

DYNAPAC

Part of the Atlas Copco Group

www.dynapac.com